

COMMANDER Omni Fiberglass Antenna, 845.5-880.5, 11.1dBi, N Female

 Please visit us on the internet at <http://www.commandertech.com>
Product Description

These center-fed collinear antennas ensure consistent gain and impedance across the operating frequency band and are specifically designed to meet various omnidirectional requirements for mobile radio services in the 806-960 MHz bands. Copper alloy radiating elements are encased in a weatherproof fiberglass low loss housing and permanently attached to a 6061-T6 aluminum support pipe.



1110 Series

Features/Benefits

- Fiberglass construction protects radiating elements in hostile environments - Copper radiating elements minimize possible generation of intermod products - Center-fed design eliminates beamswing across the band

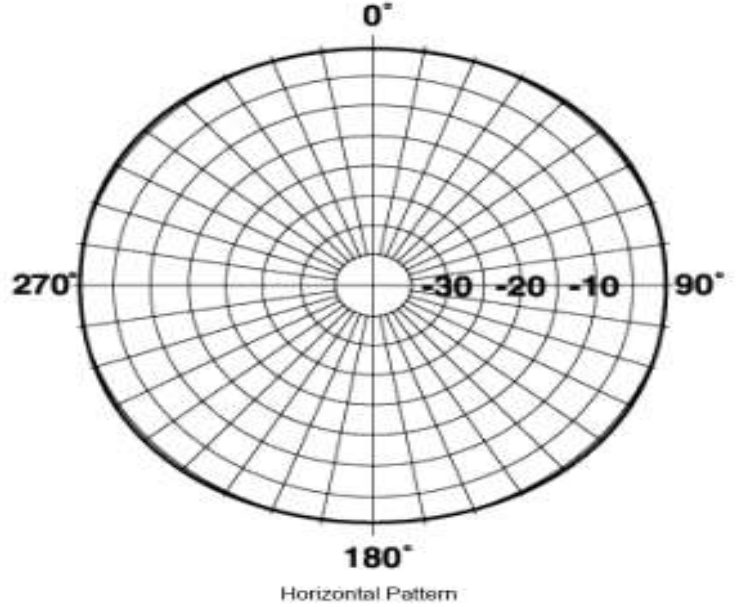
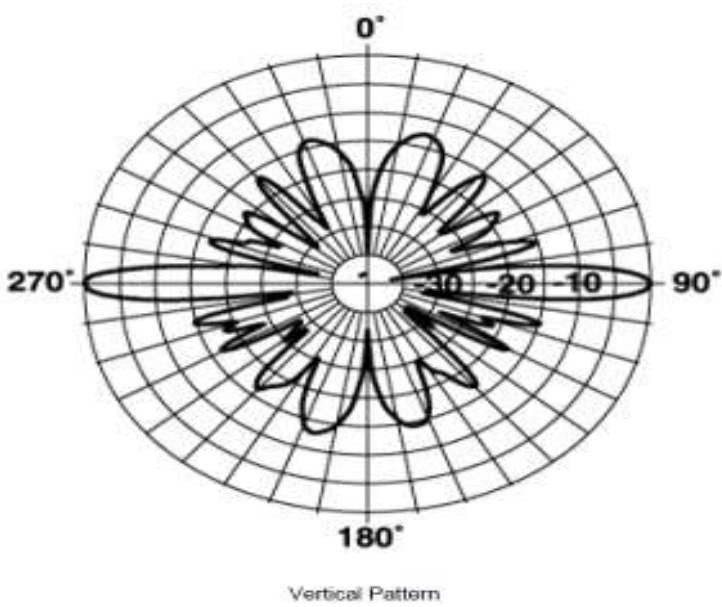
Technical Specifications

Frequency Band	845.5 - 880.5 MHz
Horizontal Pattern	Omni Directional
Antenna Type	Fiberglass Omni
Electrical Down Tilt Option	Fixed
Gain, dBi (dBd)	11.1 (9)
Frequency Range, MHz	845.5 - 880.5
Connector Type	N Female
Connector Location	Bottom
Mounting Type	Fixed
Electrical Down Tilt, deg	0
Orientation	Upright
Mounting Hardware	46 Clamp Set
Rated Wind Speed, km/h (mph)	160 (100)
Gain (Omni), dBi (dBd)	11.14 (9)
VSWR	< 1.5 : 1
Vertical Beamwidth, deg	6
Polarization	Vertical
Maximum Power Input, W	500
Lightning Protection	Direct Ground
Flexible Extensions	Optional
Impedance, Ohms	50
Overall Length, m (ft)	3.71 (12.17)
Element Housing Length, m (ft)	3.10 (10.17)
Mounting Pipe Diameter, m (in)	0.07 (2.75)
Support Pipe Length, m (ft)	0.61 (2)
Weight, kg (lb)	8.6 (19)
Radiating Element Material	Copper
Element Housing Material	Fiberglass
Support Pipe Material	Aluminum Alloy
Max Wind Loading Area m ² (ft ²)	0.155 (1.7)
Survival Wind Speed, km/h (mph)	200 (125)
Bend Mom @ Rated Wind 1" Below Pop of Mt Pipe, N m (ft lbf)	476.4 (351.4)
Wind Load - Side @ Rated Wind, N (lbf)	302.5 (68)
Shipping Weight, kg (lb)	16.8 (37)
Packing Dimensions, HxWxD, m (ft)	4.4 x 0.1 x 0.1 (14.3 x 0.33 x 0.33)
Shipping Mode	Common Carrier

Notes

All information contained in this datasheet is subject to confirmation at time of ordering

Other Documentation



All information contained in this datasheet is subject to confirmation at time of ordering