

Commander Omni Fiberglass Antenna, 746-776, 8.1 dBi, N Female

 Please visit us on the internet at <http://www.commandertech.com>
Product Description

This antenna has been designed for 700 MHz mobile radio systems typically used by public safety organizations like local police and fire departments. This center-fed collinear antenna provides consistent gain and impedance across the operating frequency band designed to meet various omnidirectional antenna requirements. Capable of handling 500 Watts of power, this antenna is suited to both receive and transmit applications.


Features/Benefits

-Triple-wrapped heavy duty fiberglass construction assures less tip deflection - much stronger than pultruded radomes used by competitors. Center-fed design eliminates beamswing across the band.

Technical Specifications

Frequency Band	746-806 MHz
Horizontal Pattern	Omni Directional
Antenna Type	Fiberglass Omni
Electrical Down Tilt Option	Fixed
Gain, dBi (dBd)	8.1 (6)
Frequency Range, MHz	746-776
Connector Type	N Female
Connector Location	Bottom
Mounting Type	Fixed
Electrical Down Tilt, deg	0
Orientation	Upright
Mounting Hardware	46 Clamp Set
Rated Wind Speed, km/h (mph)	160 (100)
VSWR	< 1.5 : 1
Vertical Beamwidth, deg	12
Polarization	Vertical
Maximum Power Input, W	500
Lightning Protection	Direct Ground
Impedance, Ohms	50
Overall Length, m (ft)	2.62 (8.6)
Element Housing Length, m (ft)	1.95 (6.41)
Mounting Pipe Diameter, m (in)	0.07 (2.75)
Support Pipe Length, m (ft)	0.61 (2)
Weight, kg (lb)	7.3 (16)
Radiating Element Material	Copper
Element Housing Material	Fiberglass
Support Pipe Material	6061-T6 Aluminum
Max Wind Loading Area m ² (ft ²)	0.079 (0.85)
Survival Wind Speed, km/h (mph)	200 (125)
Bend Mom @ Rated Wind 1" Below Pop of Mt Pipe, N m (ft lbf)	150.8 (111.2)
Wind Load - Side @ Rated Wind, N (lbf)	150.5 (33.8)
Shipping Weight, kg (lb)	13.6 (30)
Packing Dimensions, HxWxD mm (in)	3300 x 100 x 100 (129.92 x 3.94 x 3.94)
Packing Dimensions, HxWxD, m (ft)	3.3 x 0.1 x 0.1 (11.2 x 0.33 x 0.33)
Shipping Mode	Common Carrier

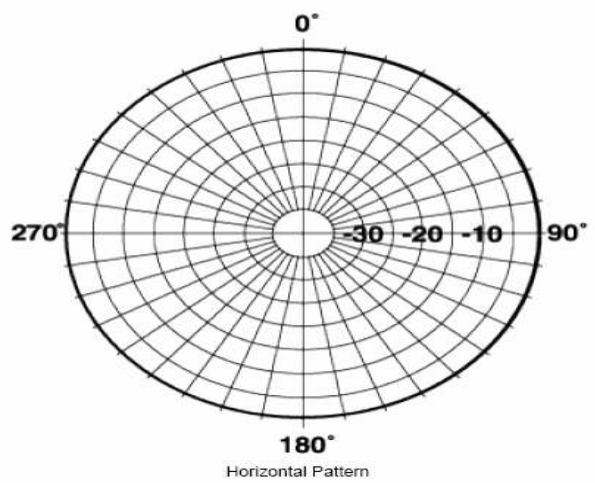
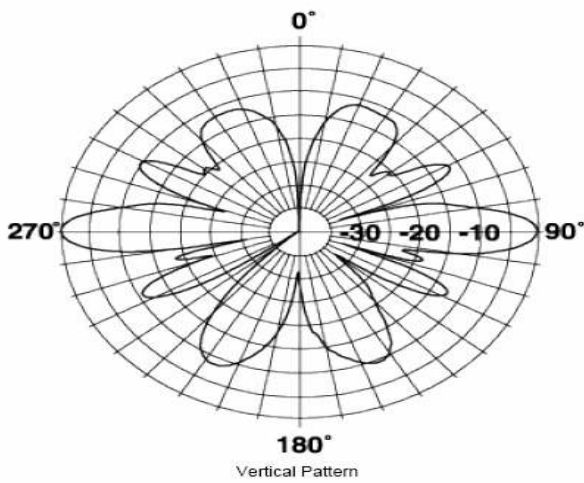
Notes

All information contained in this datasheet is subject to confirmation at time of ordering

Commander Omni Fiberglass Antenna, 746-776, 8.1 dBi, N Female

Please visit us on the internet at <http://www.commandertech.com>

Other Documentation



All information contained in this datasheet is subject to confirmation at time of ordering