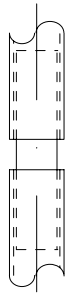


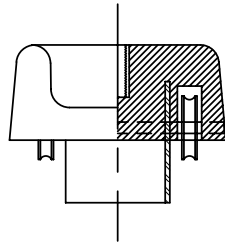
L.Ph. Bolander & Sons

1355 Evans Ave.
 San Francisco, Calif. 94124
 800/434-5611 Fax 415/648-0402
Quality Flagpoles Since 1885

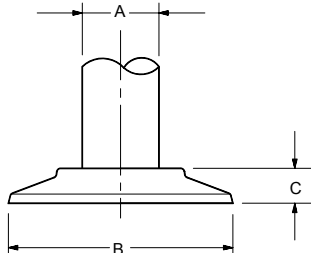
FIBERGLASS FLAGPOLE GROUND SET ENTASIS TAPERED



SELF ALIGNING INTERNAL SLEEVE
 Poles 50' and over come in two sections with a splice permanently cemented to the bottom. The top section simply slides over the self aligning splice for easy assembly

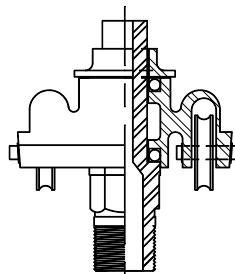


FIBERGLASS EXTERNAL HALYARD TRUCK.



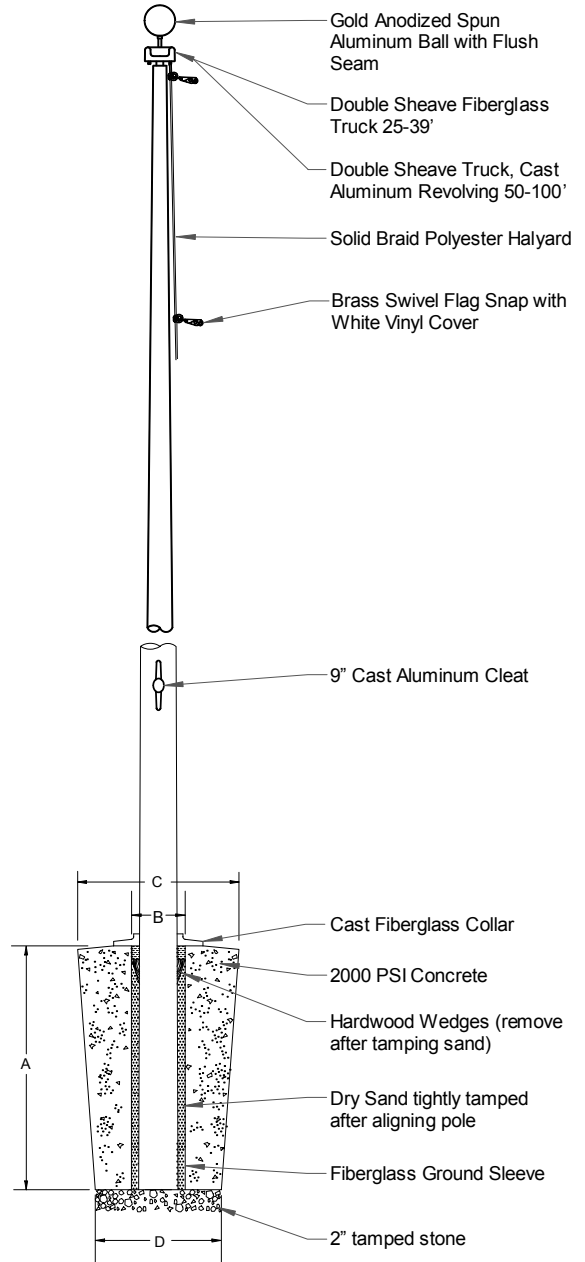
Cast Fiberglass Standard Flash Collar

A	B	C
6-7"	16"	2.5"
9.9"-10.5"	23"	3.5"
16"-17.75"	30"	4"



REVOLVING NON-FOULING TRUCK DETAIL

Aluminum Body, with 26 Stainless Steel Ball Bearings and Two Delrin Sheaves on Stainless Pin



FOUNDATION DIMENSIONS

Exposed Height	A	B	C	D
25'	36"	8"	24"	20"
30'	36"	8"	30"	24"
35'	48"	8"	32"	30"
39'	48"	8"	36"	30"
50'	60"	12"	48"	42"
60'	72"	14"	48"	48"
70'	84"	20"	60"	56"
80'	96"	20"	60"	56"
90'	108"	20"	60"	56"
100'	120"	20"	60"	56"

These recommended foundations are only minimums. Dimensions may vary according to soil and wind conditions at location of installation

Exposed Height	Overall Height	Diameter		Ball Dia	Halyard Diameter	Ground Sleeve Dia.	Flag Size	Pole Weight	Shipping Weight
		Butt	Top						
C-25'	28'	5.8"	3"	6"	5/16"	8"	4'x6'	54#	115#
C-30'	33'	6.5"	3"	6"	5/16"	8"	5'x8'	69#	126#
C-35'	39'	7"	3"	6"	5/16"	8"	5'x8'	96#	173#
C-39'	43'	7"	3"	8"	5/16"	8"	6'x10'	118#	187#
C-50'	55'	10"	4.4"	10"	5/15"	14"	8'x12'	284#	575#
C-60'	66'	10.5"	4.4"	10"	3/8"	14"	10'x15'	429#	715#
CS-60'	66'	16"	7"	14"	3/8"	20"	20'x30'	650#	925#
CS-70'	77'	16"	7"	14"	3/8"	20"	20'x30'	750#	1000#
CS-80'	88'	16.75"	7"	14"	3/8"	20"	20'x38'	1000#	1400#
CS-90'	99'	17.5"	7"	14"	3/8"	20"	20'x38'	1250#	1700#
CS-100'	110'	17.75"	7"	14"	3/8"	20"	20'x38'	1500#	2100#

GROUND SET ENTASIS TAPERED FIBERGLASS FLAGPOLES, EXTERNAL HALYARD SYSTEM

Specifications

GENERAL. All Bolander fiberglass flagpoles are computer designed to withstand winds in excess of 120 MPH, based upon NAAMM and AASHTO standards to insure strength and stiffness. The glass weave used as the basic reinforcing material was designed specifically for flagpoles to satisfy their structural requirements. 75% of the glass fibers run in the vertical plane which maximizes desired rigidity and axial strength.

Pole heights up to 35' are fabricated in one piece and shipped via motor freight to almost any destination. For locations where shipping is a problem, poles can be fabricated in two sections. The sections are factory fitted with a self aligning internal sleeve, requiring no field bonding.

A high gloss Polyester coating is applied after sanding to a fine finish. This finish is widely used in the aircraft industry and is designed to withstand extremes of temperature, exposure to sunlight, is highly resistant to oils, fumes and exhaust gases.

Upon completion of manufacturing, poles are wrapped in .003" polyethylene and packaged in a heavy wall hard fiber tube to protect the finish.

Optional colors are available other than standard white, at an additional cost.

STANDARD FITTINGS. Fittings listed below are standard on all ground mounted flagpoles.

BALL. Constructed of 14ga. Aluminum, with a flush seam and Gold Anodized for color and durability.

TRUCK. Cast resin, non-fouling, with two nylon sheaves on stainless steel pin, for poles up to and including 39'. Two Sheave Heavy Duty Revolving Aluminum with 50 Stainless Steel Ball Bearings, on Stainless Steel Races, for poles 50' and higher

HALYARD. Shall be 5/16" ultra violet resistant solid braid Polyester.

SNAPS. Brass swivel eye with white vinyl covers.

CLEAT. Provide a 9" cast Aluminum Cleat with 5/16" Stainless Steel Machine Screws.

COLLAR. Laminated fiberglass of diameter and shape as detailed. The finish shall match the pole.

GROUND SLEEVE. Laminated fiberglass of size and length for pole height.

