

COMMANDER Omni Fiberglass Antenna, 890-960, 11.1dBi, N Female

 Please visit us on the internet at <http://www.commandertech.com>
Product Description

These center-fed collinear antennas ensure consistent gain and impedance across the operating frequency band and are specifically designed to meet various omnidirectional requirements for mobile radio services in the 806-960 MHz bands. Copper alloy radiating elements are encased in a weatherproof fiberglass low loss housing and permanently attached to a 6061-T6 aluminum support pipe.



1110 Series

Features/Benefits

- Fiberglass construction protects radiating elements in hostile environments - Copper radiating elements minimize possible generation of intermod products - Center-fed design eliminates beamswing across the band

Technical Specifications

Frequency Band	872-960 MHz
Horizontal Pattern	Omni Directional
Antenna Type	Fiberglass Omni
Electrical Down Tilt Option	Fixed
Gain, dBi (dBd)	11.1 (9)
Frequency Range, MHz	890-960
Connector Type	N Female
Connector Location	Bottom
Mounting Type	Fixed
Electrical Down Tilt, deg	0
Orientation	Upright
Mounting Hardware	46 Clamp Set
Rated Wind Speed, km/h (mph)	160 (100)
Gain (Omni), dBi (dBd)	11.14 (9)
VSWR	< 1.5 : 1
Vertical Beamwidth, deg	6
Polarization	Vertical
Maximum Power Input, W	500
Lightning Protection	Direct Ground
Flexible Extensions	Optional
Impedance, Ohms	50
Overall Length, m (ft)	3.54 (11.61)
Element Housing Length, m (ft)	2.93 (9.61)
Mounting Pipe Diameter, m (in)	0.07 (2.75)
Support Pipe Length, m (ft)	0.61 (2)
Weight, kg (lb)	8 (18)
Radiating Element Material	Copper
Element Housing Material	Fiberglass
Support Pipe Material	Aluminum Alloy
Max Wind Loading Area m ² (ft ²)	0.149 (1.6)
Survival Wind Speed, km/h (mph)	200 (125)
Bend Mom @ Rated Wind 1" Below Pop of Mt Pipe, N m (ft lbf)	424 (312.9)
Wind Load - Side @ Rated Wind, N (lbf)	285 (64)
Shipping Weight, kg (lb)	15.9 (35)
Packing Dimensions, HxWxD mm (in)	4180 x 100 x 100 (164.56 x 3.94 x 3.94)
Packing Dimensions, HxWxD, m (ft)	4.18 x 0.1 x 0.1 (13.7 x 0.33 x 0.33)
Shipping Mode	Common Carrier

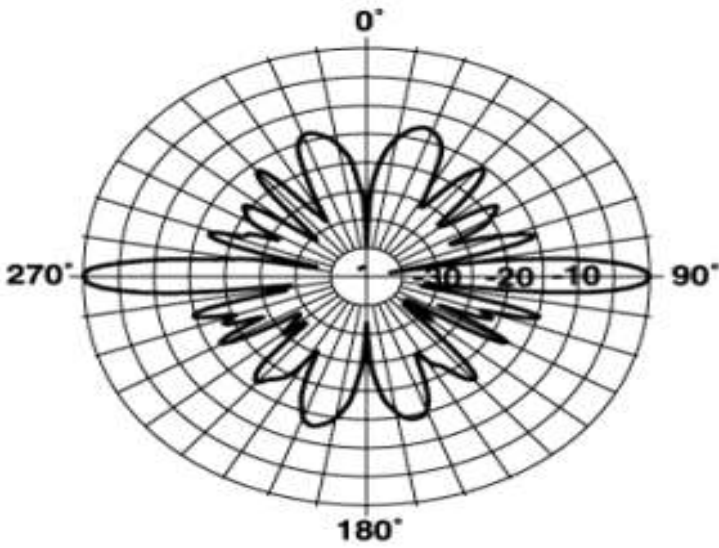
Notes

All information contained in this datasheet is subject to confirmation at time of ordering

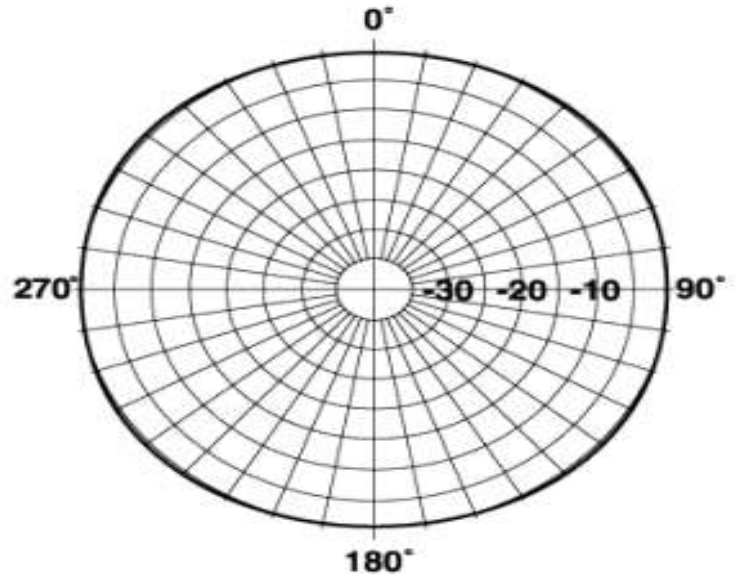
COMMANDER Omni Fiberglass Antenna, 890-960, 11.1dBi, N Female

Please visit us on the internet at <http://www.commandertech.com>

Other Documentation



Vertical Pattern



Horizontal Pattern

All information contained in this datasheet is subject to confirmation at time of ordering